



**spectra**  
collection

**Solid-Wood**  
Contemporary natural surfaces

## Guarantee, installation and maintenance document

**IMPORTANT:** Please follow these installation and maintenance instructions carefully.

# Guarantee, installation and maintenance document

## General

Any complaints about this Spectra Solid-Wood work surface must be made to the supplier immediately and always before installation as, once installed, the worktop will be seen as having been accepted. Even if any visible product defects can be documented, no liability for the removal of the worktop or installation of a replacement will be accepted.

The guarantee is valid for 12 months from the delivery date and covers all defects related to the production of the board. However, it doesn't cover incorrect treatment / maintenance or inappropriate storage / installation of the worktops.

Please follow these instructions carefully as failure to do so could invalidate your guarantee. Worktops can only be returned by special agreement with the supplier.

## Product Information

Spectra Solid-Wood worktops are a natural product, dried to 8-10% moisture content, which is appropriate to a humidity level of 50-60%. Because wood is a living material it can expand and contract according to the surrounding humidity levels. For example, an 85% humidity level can cause a worktop to expand up to 10mm in the width. If the worktop is exposed to different moisture levels on the surface and underside, it will start bowing. In these circumstances, turn the worktop over, allow it to 'rest', and it will become level again. If the worktops are being installed in an area of high humidity (for instance, where screed is still drying) they should be left flat on bearers for 1-2 days so that they can acclimatise to the conditions.

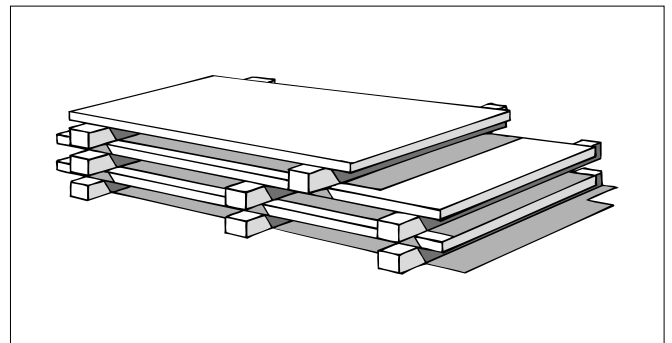
When the wood is dried, small air pockets can occur, appearing as small cracks on the surface. This is a natural occurrence which can also happen as a result of changes in temperature or humidity. Small cracks can be repaired with wood filler.

**IMPORTANT:** small cracks are a natural part of Spectra Solid-Wood and do not constitute grounds for complaint.



## Storage

All Spectra Solid-Wood work surfaces leave the manufacturer acclimatised and level. As with all solid timber products it is very important that the worktops should be stored in a dry place, protected against moisture. When storing the worktop it should remain in its original packaging and be stacked level and flat on bearers, so that air can circulate freely between the worktops.



**IMPORTANT:** do not expose the worktops to major changes in temperature / humidity and be aware of possible changes to the surrounding environment during building work / installation.

## Maintenance

Before installing, the worktop has to be treated with oil on all edges and on both surfaces. We recommend the use of Danish Oil. Oil the worktop at least twice, allowing the oil to dry, 'sanding' lightly between coats using a rough but not abrasive sponge in the direction of the staves. Finally, wipe off any excess oil with a soft cloth.

After installation the worktop must be oiled thoroughly, particularly during the first four weeks of use. After this the oil should be re-applied at 2-3 month intervals depending on the extent to which the worktop is used.

**IMPORTANT:** make particularly sure that all visible end grain is sealed with oil, paying special attention to cut-outs for sinks and appliances. Please read the Danish Oil application instructions carefully, prior to use. Do not leave pools of water on the surface for prolonged periods. To protect your worktop avoid sharp objects and keep away from extremes of heat.

**WARNING:** oil can spontaneously combust.

## Cleaning

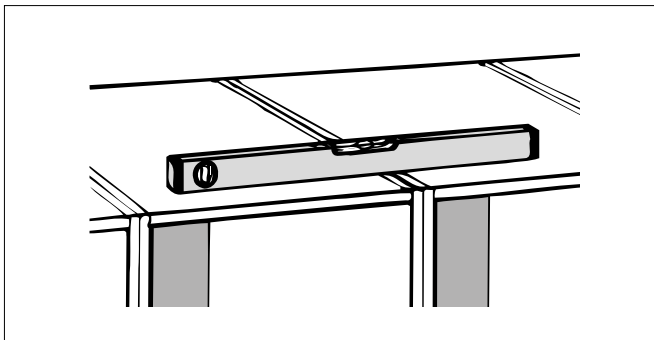
For daily cleaning use mild soap and water on a damp cloth (do not use concentrated soap/washing up liquid). Never use products that contain Sal ammoniac or scouring powder.

**PLEASE NOTE:** Spectra Solid-Wood is a natural product which will mature to a richer colour to continually enhance your kitchen.

# Guarantee, installation and maintenance document

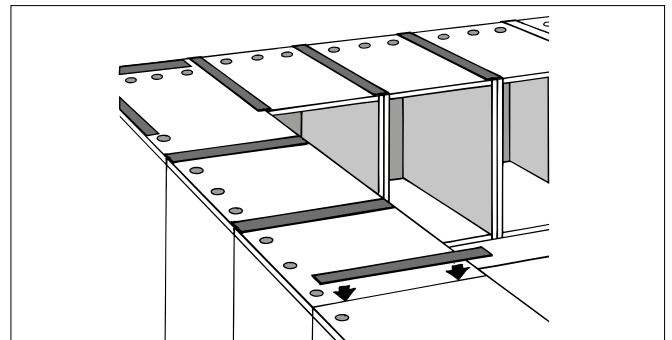
## Prepare to install

For the worktops to function perfectly it is essential that all kitchen cabinet units have been installed correctly with a spirit level so the upper surfaces are completely level.



## Fitting the worktop

When installing on a cabinet with a solid top panel, place 4-6 mm thick strips on top of the cabinets. Drill 2-3 holes in the top rear of the cabinet to provide air circulation.

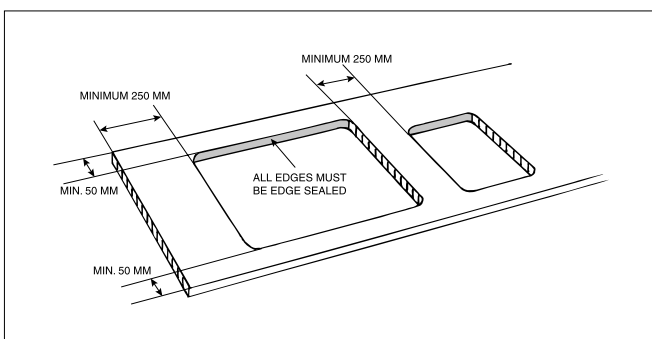


## Cut-outs

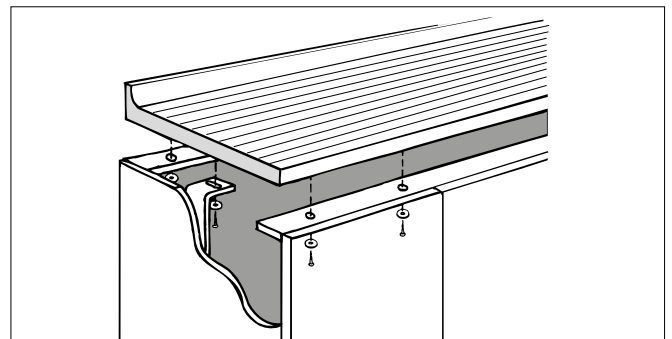
All Spectra Solid-Wood surfaces will move by expanding and contracting as a result of even slight changes to humidity levels. Any cut-outs for sinks, hobs etc. must be at least 5mm larger than the units themselves, to allow for movement in the wood. The hole for the taps must be at least 3mm larger in diameter than the water pipe. When using a jigsaw, always cut from the underside of the worktop.

**IMPORTANT:** all cut-outs must be thoroughly sealed with oil to prevent moisture damage to the worktop. Belfast sinks must have at least 10mm overhang and the edges must be treated on a regular basis to prevent the worktop splitting.

Make sure that there is at least 250mm from the edge of the cut-out to the end of the worktop, and also between cut-outs (see diagram below).



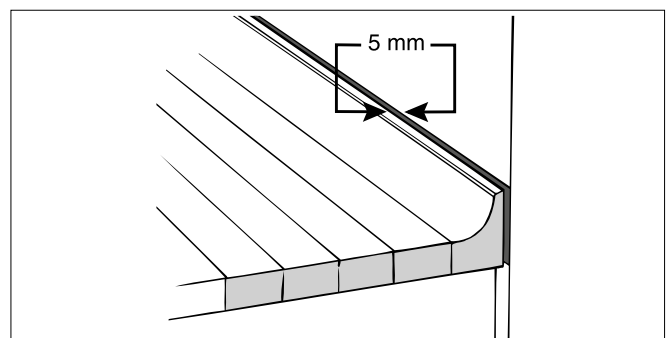
The worktop should be installed with a row of 3 screws each 300-500mm apart, using supporting brackets in between when the cabinet doesn't have a solid top panel.



Drill 10mm holes in the top of the cabinet and use screws with washers to allow the worktop to move. Do not fasten the worktop too tight to the cabinet, to enable the worktop to move.

## Allow for expansion

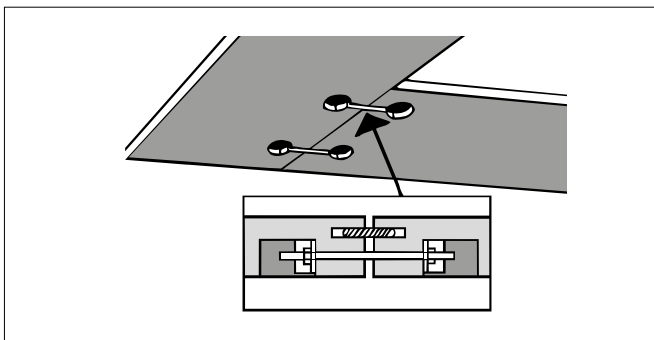
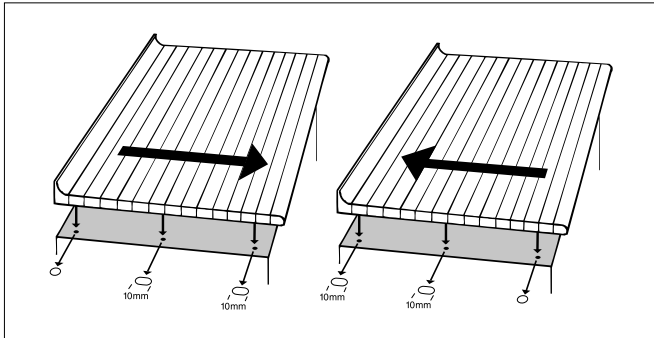
It is very important to allow the worktop to move, so you should leave a gap between the worktop and the wall, especially when installing U shaped or angled worktops.



Spectra Solid-Wood work surfaces are a natural product which will slowly mature to a richer colour to continually enhance your kitchen.

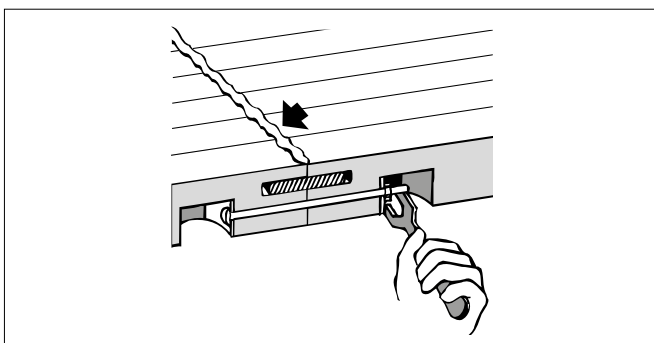
# Guarantee, installation and maintenance document

You can decide in which direction the worktop will move by fixing it at either the front or the back edge (see diagrams below).



## Joints

Joints have to be made with tension bolts and strip. For a 650mm board use 2 bolts.

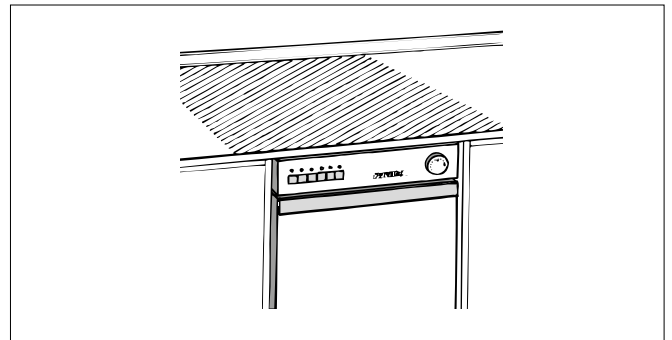


Drill holes into the tops of the cabinet so the tension bolts can be fastened from inside the cabinet. Insert the joining strip and push the worktops together until they are 3-4mm apart and mount the tension bolts. Apply sealant along the joint and tighten the tension bolts so the joint is tight.

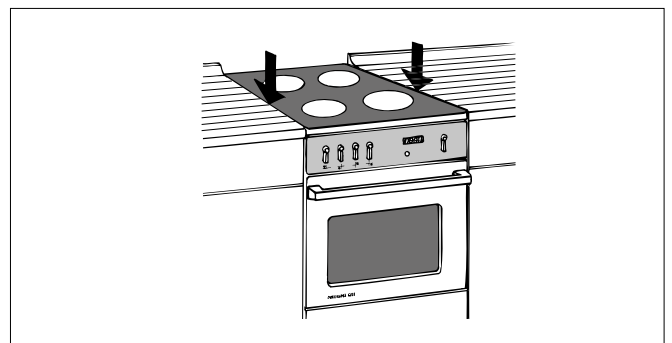
**IMPORTANT:** avoid positioning joints close to cut-outs. Remember to carry out a final tightening and adjustment of the joints to complete the installation.

## Heat from heaters and household appliances

Always protect the worktop against heat (heaters, cookers etc.) and moisture (dishwashers, washing machines etc.) with aluminium foil.



Household appliances that produce heat (coffee makers, toasters, cookers etc.) should never be placed directly onto the worktop surface. This action may cause the wood to dry out, leading to surface cracks. (Small cracks might occur but they are not damaging to the worktop, but should be treated with extra oil).



## Free standing worktop / overhang

Freestanding worktops or overhangs over 250mm must be supported by a frame or the insertion of T-bars to avoid bowing.

